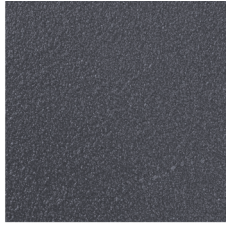


# Technical Information Sheet

## d<sup>2</sup> Dura Grating 41mm Solid Top



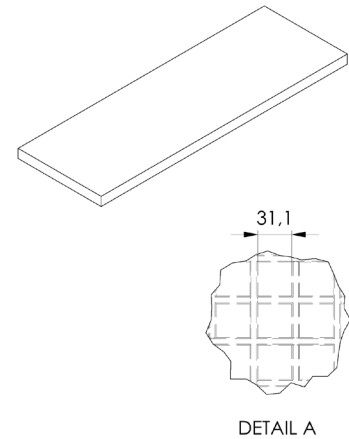
### Product Description

d<sup>2</sup> Dura Grating is a new patent pending GRP grating series that takes structural flooring to the next level. Available exclusively from Dura Composites, our Solid Top grating range achieves an industry-leading Class B fire rating according to BS EN 13501-1.

Designed, developed and manufactured by Dura Composites, d<sup>2</sup> Dura Grating's anti-slip surface is tested to over 1 million footfalls. It offers outstanding safety, performance and durability and is more cost-effective than traditional GRP grating in almost every scenario.

### Product Details

Length (mm)	Width (mm)	Colours / Product Codes	Panel Weight (kg)	Weight (kg/sqm)	Open Mesh Size (mm)
3663	1224	Dark Grey (DG02602)	94.56	21.09	None
3054	996	Dark Grey (DG02603)	64.15		



### Product Applications

Common applications for d<sup>2</sup> Dura Grating include walkways, gantries, gully covers, service risers, access platforms, stair treads, ramps, bund flooring, roof walkways, fencing, gates, trash screens, pontoons, mezzanines and low-rise balcony flooring.

### Packaging

Please see below for relevant packaging information for d<sup>2</sup> Dura Grating 41mm Solid Top.

Packaging	Product Information
Maximum Products Per Pallet	23
Pallet Dimensions (mm)	3070 x 1240 x 1120
	3680 x 1230 x 1120
Pallet Weight (kg)	1441
	2090

### Colours

Please see below for our d<sup>2</sup> Dura Grating RAL colours.

Dura Colours	RAL Number
Dark Grey ●	7043

### Material

Glass Reinforced Polymer (GRP) d<sup>2</sup> Dura Grating is produced from glassfibres laminated together using an Orthophthalic Polyester Resin system and a gritted finish. It is resistant against a wide range of chemicals and temperature spectrums. Material samples are available on request, along with a copy of our chemical resistance data. Other resin types are available by special order.

## Test Performance Overview

4S Slider Pendulum Test	BS EN 13501-1	BS 4592	European 20mm Ball Fall Test
PTV: 72 (dry)*, 62 (wet)*	Class B	Compliant	Compliant

\*Maintains 95% of slip resistance after 1.1 million footfalls.

For more information please refer the Technical Installation Manual or speak to your Dura Composites Representative.

## Load and Deflection Data

Deflection is shown in millimetres (mm), with all columns denoting clear spans. Green/red cell colours indicate above and below L/100, which is the equivalent of 1% deflection. To view data for alternative standard load deflection such as L/200, or specific data for your project, visit [www.duracomposites.com/power-of-composites](http://www.duracomposites.com/power-of-composites).

### Point Load (PL)

	2150mm	2200mm	2250mm	2300mm	2350mm	2400mm
1.0 kN/ PL	8.1	8.5	9.0	9.5	10.0	10.5
1.5 kN/ PL	11.9	12.5	13.2	13.8	14.5	15.2
2.0 kN/ PL	15.8	16.6	17.4	18.2	19.1	20.0
2.5 kN/ PL	19.7	20.7	21.7	22.7	23.7	24.8
3.0 kN/ PL	23.7	24.8	26.0	27.2	28.4	29.7
3.5 kN/ PL	27.6	28.9	21.7	31.6	33.1	34.5

### Maximum Spans (mm)

Load	L/100	L/200
1.0 kN	3500	2630
1.5 kN	3400	1960
2.0 kN	2810	1410
2.5 kN	2330	830
3.0 kN	1960	-
3.5 kN	1660	-

### Uniformly Distributed Loads (UDL)

	1200mm	1250mm	1300mm	1350mm	1400mm	1450mm
2.5 kN/m <sup>2</sup> UDL	5.2	5.9	6.7	7.6	8.5	9.5
3.0 kN/m <sup>2</sup> UDL	6.3	7.1	8.1	9.1	10.2	11.4
3.5 kN/m <sup>2</sup> UDL	7.3	8.3	9.4	10.6	11.9	13.3
4.0 kN/m <sup>2</sup> UDL	8.4	9.5	10.8	12.2	13.7	15.3
4.5 kN/m <sup>2</sup> UDL	9.7	11.0	12.4	14.0	15.7	17.5
5.0 kN/m <sup>2</sup> UDL	11.3	12.8	14.4	16.1	17.9	19.9

### Maximum Spans (mm)

Load	L/100	L/200
2.5 kN/m <sup>2</sup>	1770	1280
3.0 kN/m <sup>2</sup>	1620	1170
3.5 kN/m <sup>2</sup>	1510	1090
4.0 kN/m <sup>2</sup>	1410	1020
4.5 kN/m <sup>2</sup>	1320	960
5.0 kN/m <sup>2</sup>	1240	890

Key: ● = Within limits ● = Out of limits

## Safety Information

Use diamond tipped tools for cutting and wear mask and goggles when cutting or grinding. Cover exposed parts of the body. Wear gloves when moving or lifting. Product itself is not considered a hazardous waste. Please ensure that you abide by local laws and procedures regarding disposal if you choose not to upcycle or re-use your product at the end of its initial lifecycle.

## Common Fixing Options

Some of the most common stainless steel fixing options are shown below. For a full list of fixings please see the d<sup>2</sup> Dura Grating brochure.



Large Dome Washer  
(BFX01003)



Extra Large Dome Washer  
(BFX02165)



Uni-Strut Clamps  
(DP05053)

## Warranty

25 year limited warranty available. Please register your product with us within 30 days of your invoice date. Visit [www.duracomposites.com/warranty](http://www.duracomposites.com/warranty).